



Subsidiary of Federal Signal Corporation

Interchangeable Truck Body System

# FLATBED



## FEATURES

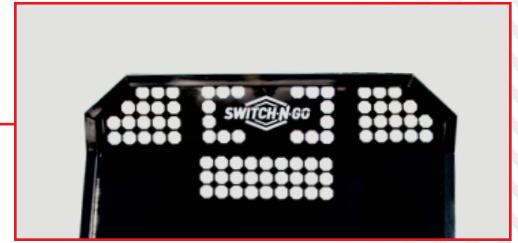
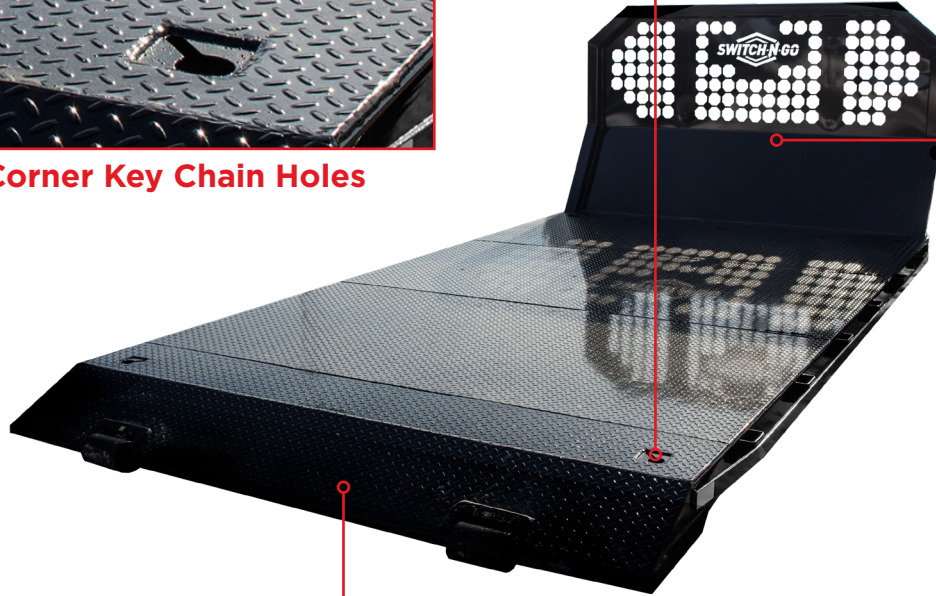
- High quality zinc prime & powder coated finish
- Lightweight design
- 24" on center stake pockets
- Lasercut window in bulkhead
- 4-Corner chain keyholes
- Low profile 4" steel ground rollers
- Custom options available

FIND A DEALER IN YOUR AREA

[SWITCHNGO.COM/DEALER](http://SWITCHNGO.COM/DEALER)



**Corner Key Chain Holes**



**39" Height Bulkhead**



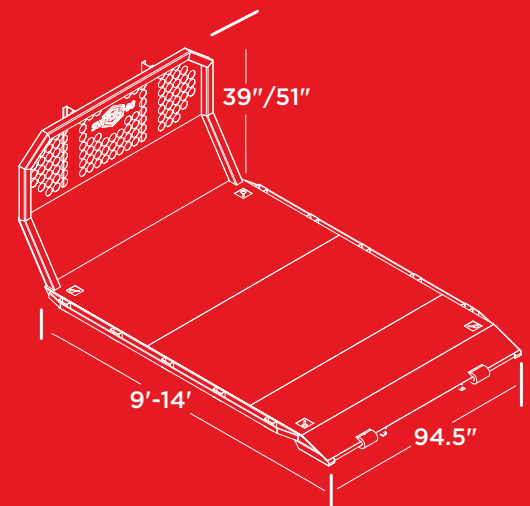
**51" Height Bulkhead**



**Available with or without Beavertail**

## SPECIFICATIONS

	9-12' LENGTHS	13-15' LENGTHS
<b>FLOOR</b>	1/8" DIAMOND PLATE	3/16" DIAMOND PLATE
<b>OUTER RAIL</b>	3" X 3" X 1/8" TUBING	
<b>STAKE POCKETS</b>	24" ON CENTER	
<b>RUB RAIL</b>	3/8" X 2" FLATBAR	
<b>ROLLERS</b>	INTEGRATED 4X6" WIDE GROUND ROLLERS	
<b>CROSSMEMBERS</b>	3" STRUCTURAL CHANNEL ON 16" CENTERS	
<b>KEYHOLES</b>	LOCATED IN CORNERS OF PLATFORM FLOOR	
<b>OPTIONS</b>	WELDED D-RINGS / STAKE SIDES / NO BEAVERTAIL	
	STANDARD BULKHEAD	HIGH BULKHEAD
<b>BULKHEAD WINDOW</b>	≈ 3.8 SQ FEET AREA	≈ 4.4 SQ FEET AREA



Specifications are subject to change without notice. For warranty information on this or any other Switch-N-Go® product please refer [switchngo.com/warranty](http://switchngo.com/warranty).