

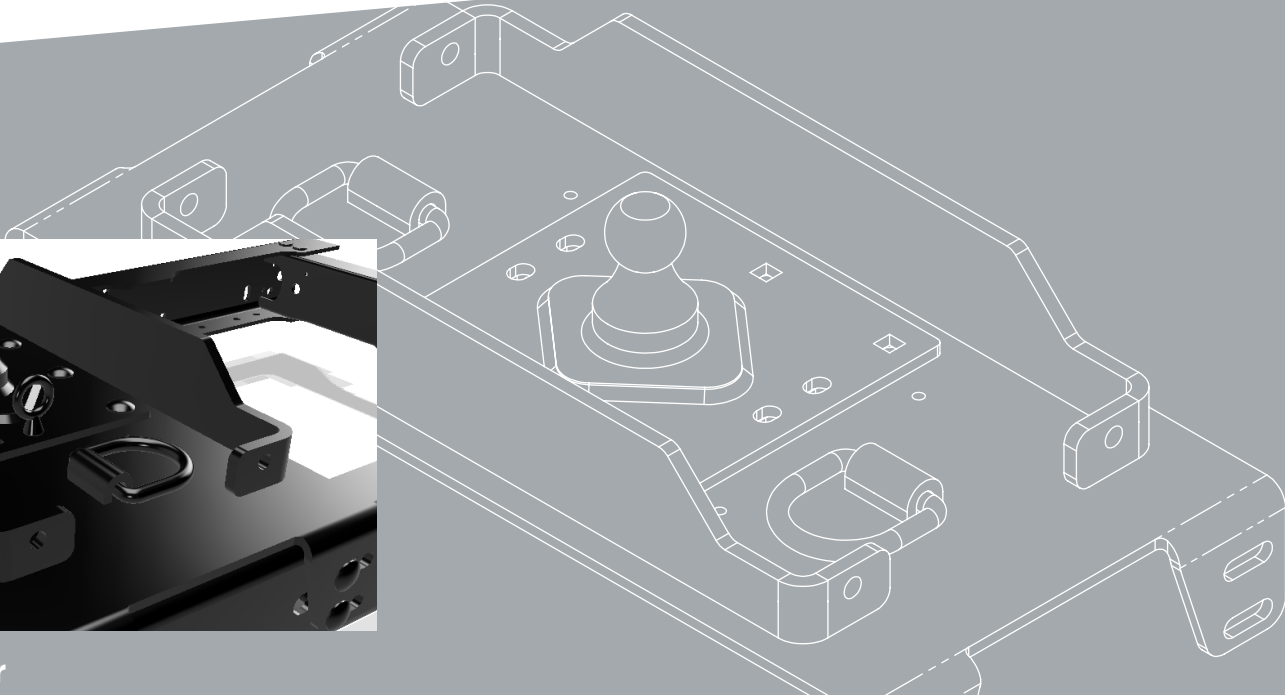
# GOOSENECK ADAPTER<sup>†</sup>



SWITCHNGO.COM

## Features

- Easy to install bolt-on design with no welding
- Tested to SAE J2638 certified rating standards up to 30,000 lbs
- Integrated towing D-rings
- Designed to bolt directly to chassis frame and Switch-N-Go<sup>®</sup> System frame for added strength



## Available Only for

<sup>†</sup> WILL WORK WITH ANY SWITCH-N-GO<sup>®</sup> SYSTEM HAVING THE SR-5020 SCISSOR. INSTALL GOOSENECK ADAPTER PRIOR TO INSTALLATION OF THE SWITCH-N-GO<sup>®</sup> SYSTEM.



<sup>†</sup> Upfitted vehicle must fit the requirement of Chassis Cab with leaf springs only and must be installed as close to the axle as possible without interference of any hoist installed after. Specifications are subject to change without notice. For warranty information on this or any other Switch-N-Go<sup>®</sup> product please refer [switchngo.com/warranty](http://switchngo.com/warranty).