



Interchangeable Truck Body System

DUMPSTER BODY

FORMED TOP RAIL

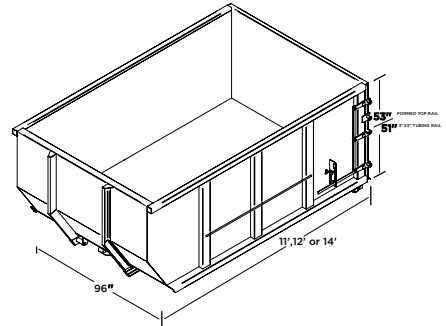


3"x3" TUBING TOP RAIL



Features

- High quality epoxy prime & wet paint black finish
- Interior & bottom flat black primer
- Sloped front for easy clean out
- Single dumpster grade available
- Standard 6" steel ground rollers



SPECIFICATIONS

	FORMED TOP RAIL			TUBING TOP RAIL		
TOP RAIL	FORMED TOP RAIL			3" X 3" x 1/8" TUBING		
SIDE HEIGHT	53"			51"		
CROSS MEMBERS	FORMED 3" CROSS MEMBERS ON 18" CENTERS					
TAILGATE	2" X 2" X 1/8" TUBING TUBULAR FRAME WORK SINGLE SWING GATE					
SIDES/FRONT/TAILGATE	12 GA SHEET					
REAR CORNER POST	12 GA SHEET					
FLOOR	12 GA SHEET					
OPTIONS/D-RINGS/SEAM SEAL	NONE					
AVAILABLE SIZES	11'	12'	14'	11'	12'	14'
APPROXIMATE HEAPED CUBIC YARDS	15YD	16YD	20YD	14YD	15YD	17YD
WEIGHT	2,030lbs	2,160lbs	2,380lbs	2,080lbs	2,210lbs	2,440lbs

Specifications are subject to change without notice. For warranty information on this or any other Switch-N-Go® product please refer switchngo.com/warranty.