



Interchangeable Truck Body System

Subsidiary of Federal Signal Corporation

11' FLATBED SERVICE BODY



FEATURES

- All Extruded 6005 T6 Alum Box Tube Construction
- T&G Extruded Alum Flooring
- Extruded Aluminum Headboard
- 3 Vertical Service Body Compartments per Side
- Rear Service Body Tailgate
- Powder Coated White
- Manual Master Lock System
- 2 Rows of E-Track Full Length

FIND A DEALER IN YOUR AREA

SWITCHNGO.COM/DEALER



Full Length E-Track



D-Rings



Customizable Storage Compartments



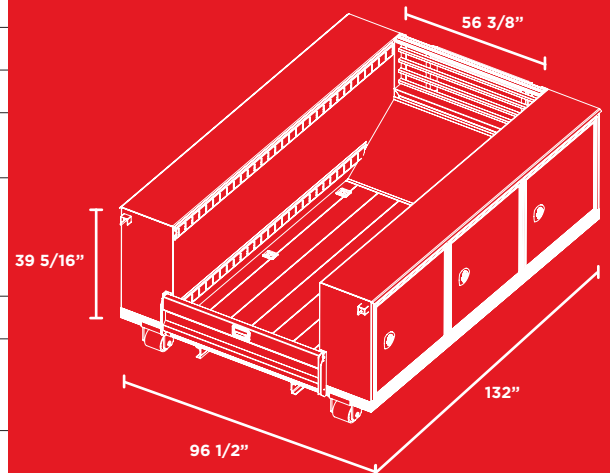
Master Lock System



SPECIFICATIONS

BODY DETAILS

FLOOR	T&G EXTRUDED ALUMINUM 102" LONG x 56 3/8" WIDE CENTER
TAILGATE	REAR SERVICE BODY TAILGATE
LATCHES	MANUAL MASTER LOCK SYSTEM
COMPARTMENTS	3 PER SIDE - 40 3/16" W x 34 7/16" T WELDED TO FLATBED FLOOR
FLATBED CONSTRUCTION	G-TUBE PERIMETER / 2x3.125 CROSS MEMBERS, 12" OC / 2x3 .188 BOX TUBE LONG SILLS (GUSSETS EVERY 4' FROM FRONT TO BACK) / ALL EXTRUDED 6005 T6 ALUM / BOX TUBE CONSTRUCTION
BULKHEAD	EXTRUDED ALUMINUM HEADBOARD
D-RINGS	6 RECESSED STAINLESS STEEL D-RING, SPRING-LOADED, 4.4K LB RATING, EVENLY SPACED, 3 PER SIDE
CARGO SECUREMENT	2 ROWS OF E-TRACK FULL / CENTER BODY LENGTH



Specifications are subject to change without notice. For warranty information on this or any other Switch-N-Go® product please refer switchngo.com/warranty.