



Interchangeable Truck Body System

Subsidiary of Federal Signal Corporation

DUMP BODY

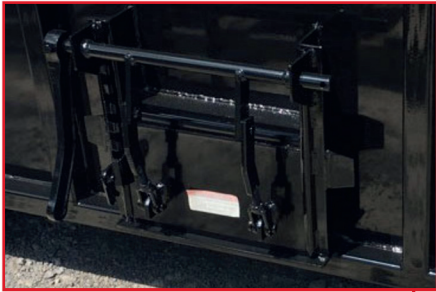


FEATURES

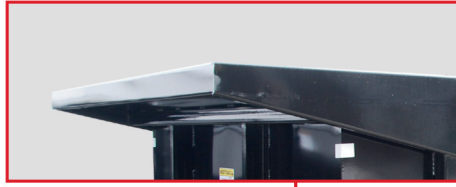
- High quality zinc primer & powder coated finish
- Ramp gate for drive-on convenience
- Accepts underbody salt spreader
- 13" side height & 18" tailgate height
- Optional extended board pockets
- Standard 6" steel dump body ground rollers
- Custom options available

FIND A DEALER IN YOUR AREA

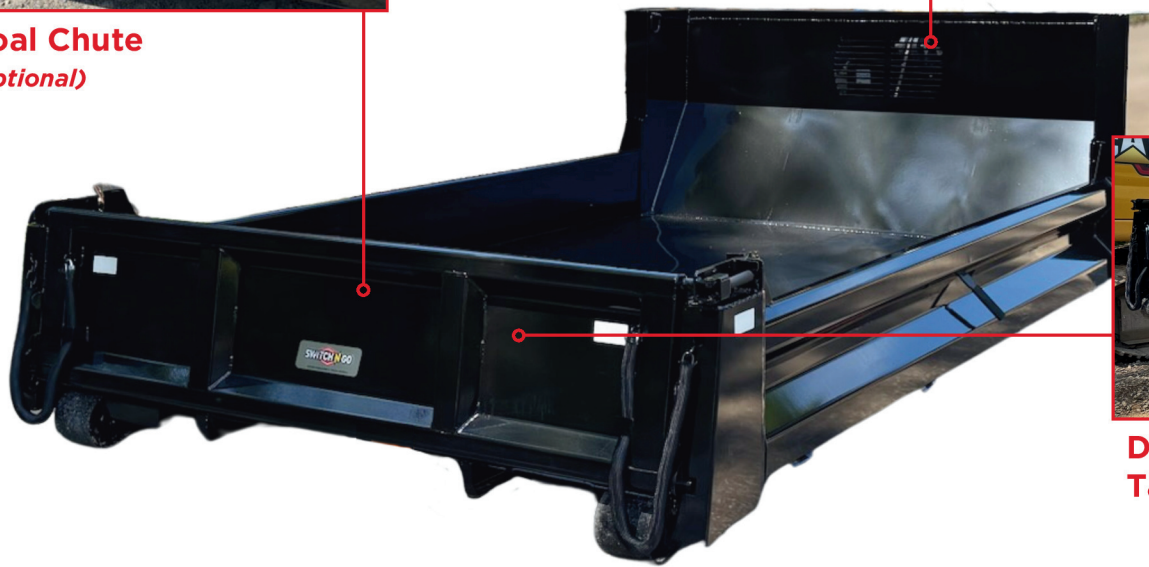
SWITCHNGO.COM/DEALER



Coal Chute
(optional)



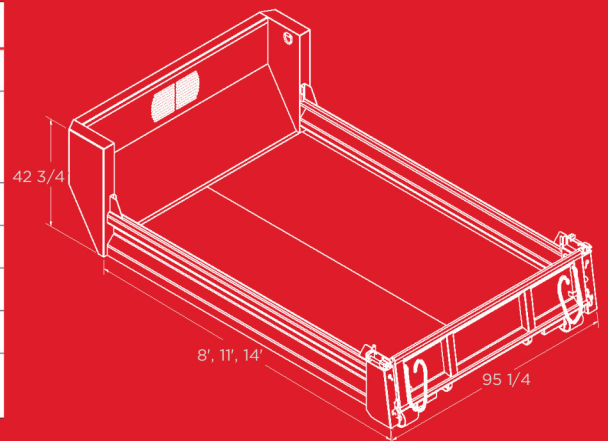
18" Cab Shield
(optional)



Double Acting Tailgate

SPECIFICATIONS

	STANDARD DUTY	HEAVY DUTY
FLOOR	10 GA STEEL	3/16" STEEL
CROSSMEMBERS	3" STRUCTURAL CHANNEL 15" ON CENTER	3" STRUCTURAL CHANNEL 12" ON CENTER
SIDES	10 GA STEEL	
TOP RAIL	3" X 3" X 1/8" TUBING	
BULKHEAD	12 GA STEEL, 39" INSIDE HEIGHT	
TAILGATE	7GA & 10 GA DOUBLE SHEET	
OPTIONS	DROP DOWN SIDES / CAB SHIELD / COAL CHUTE / WELDED D-RINGS	



Specifications are subject to change without notice. For warranty information on this or any other Switch-N-Go® product please refer switchngo.com/warranty.